

## Front Door Handle, Pre-Assembly



### Note

Replacement door handles must be painted and pre-assembled before installing.

#### 1 - Door Handle

- ❑ When installing, insert springs → **Item** in mount.
- ❑ For pre-assembly, insert door handle in mount → **Item** and slide on hinge arm → **Item**.
- ❑ Slide in pivot pins → **Item** and → **Item** andpeen with center punch as shown in: → **Anchor**.
- ❑ Engage spring → **Item** as shown in: → **Anchor**.

#### 2 - Buffer

- ❑ Insert after painting.

#### 3 - Mount for Door Handle

#### 4 - Spring

- ❑ Installation position, refer to → **Anchor**.
- ❑ Grease spring using -G 052 745 A3-.

#### 5 - Pivot Pin

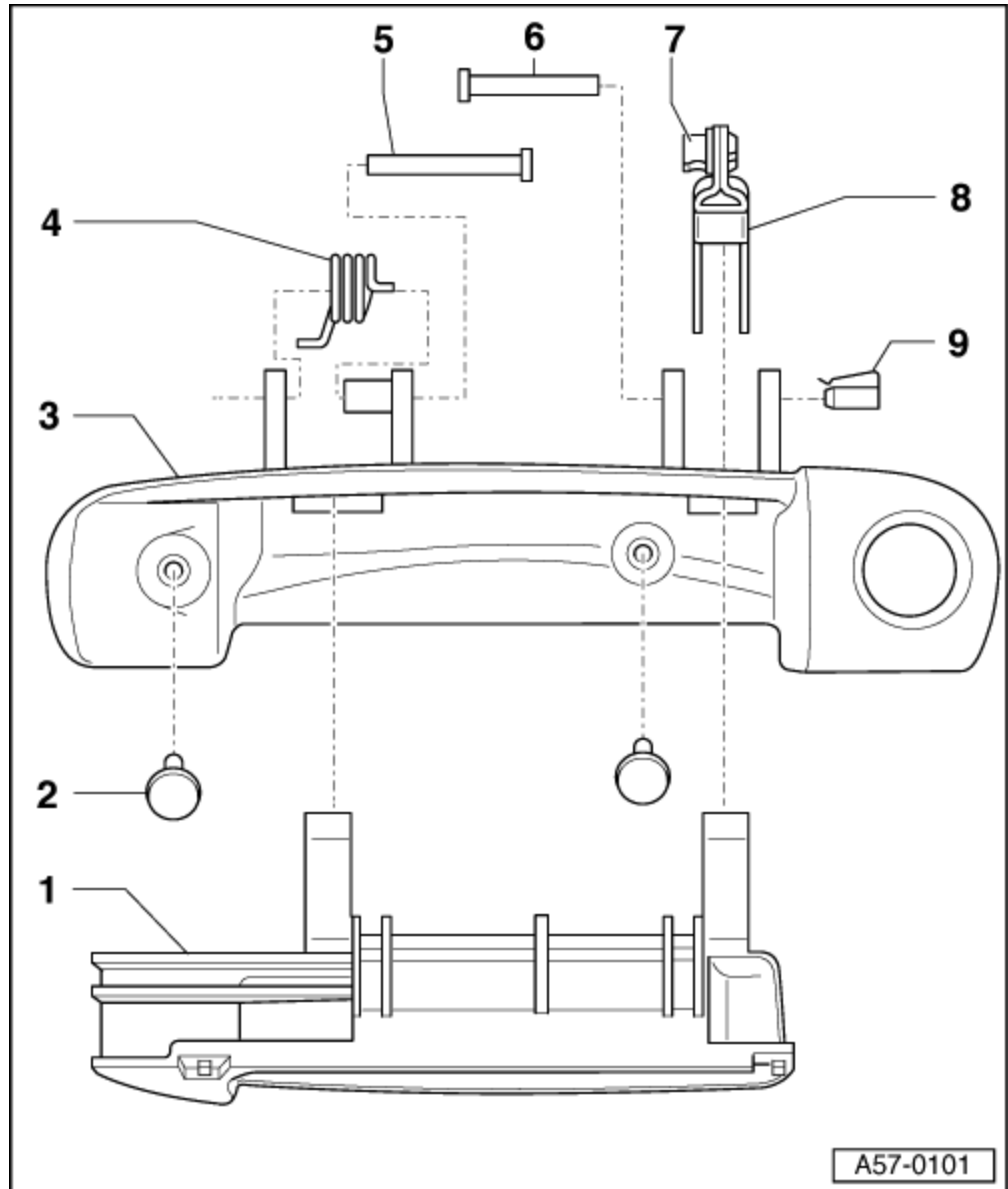
- ❑ Note varying lengths.
- ❑ Peening, refer to → **Anchor**.

#### 6 - Pivot Pin

- ❑ Note varying lengths
- ❑ Peening, refer to → **Anchor**.

#### 7 - Clip

#### 8 - Hinge Arm



## 9 - Securing Pin

- Assembly, refer to → [Anchor](#).

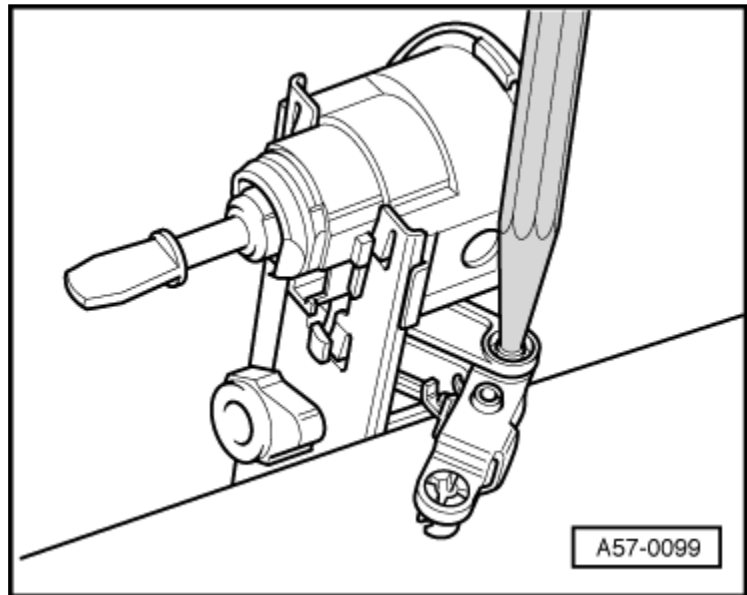
### Peening Pivot Pin



#### Note

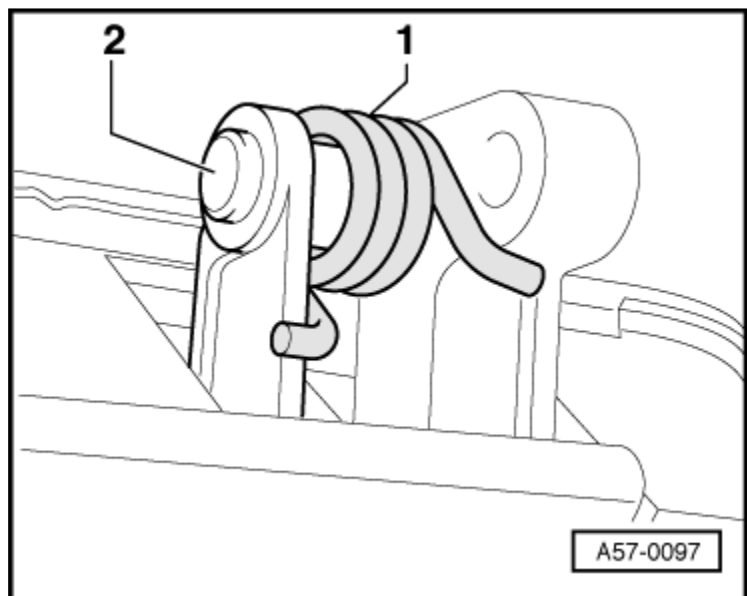
*Before peening the pivot pin, protect painted surfaces using a fabric-backed adhesive tape.*

- Support pre-assembled door handle on a solid surface (e.g. jaws of a vice).
- Secure pivot pins against falling by creating a light center punch mark.
- After peening pivot pins, check hinge arm for freedom of movement.



### Correct Installation Position Of Spring

- Install springs -1- as shown.
- Grease with -G 052 745 A3-.
- Pivot pin -2-.



### Installing Locking Pins

- Press in locking pin completely using auxiliary tool (self-made).
- Spring clip on locking pin -arrow B- must fully lock home behind hinge arm.
- Peened pivot pin -arrow A-.

