
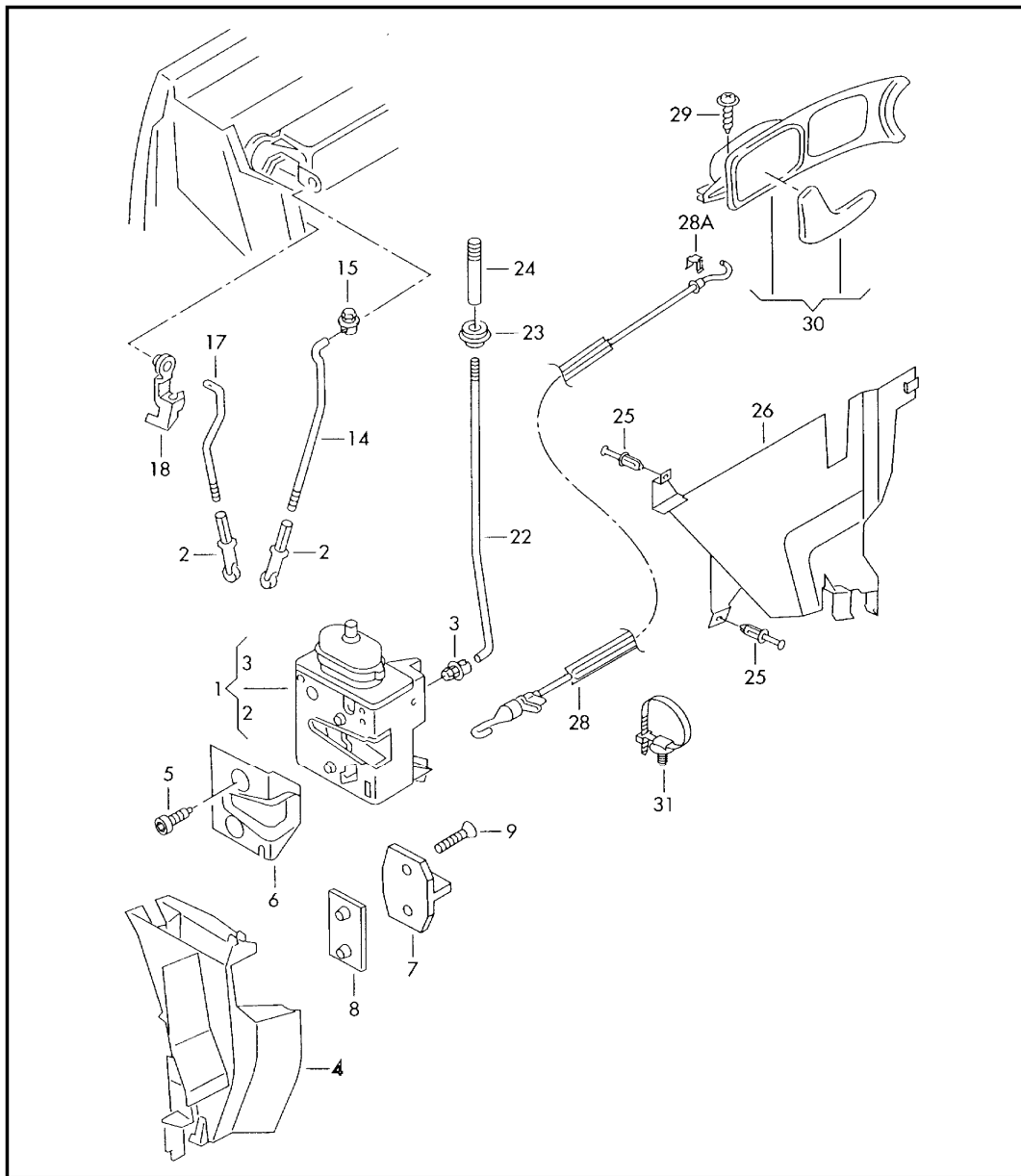


Model	Year	MG	SG	Illustration	Restrictions	UPD	9:44	25.07.201		ETKA
A4Q	2001	8	37	837-30		840	USA			



Pos	Part Number	Name	Remarks	Qty	Model
		interior release door latch	front		
1	8D1 837 015 F	door lock with door contact switch	left lhd	1	
(1)	4D1 837 016 D	door lock with door contact switch	right lhd	1	
2	4A0 837 171	clip		4	
3	171 837 199	clip		2	
4	8D0 837 349 A	cap	left	1	
(4)	8D0 837 350 A	cap	right	1	
5	8D0 837 453 B	screw, fill. hd.(combi), self locking	M6X15	4	
6	8L0 837 087	packing	left	1	
(6)	8L0 837 088	packing	right	1	
7	8D0 837 035	striker		2	
9	N 908 047 05	screw, csk. hd. with polygon socket hd.	M8X22	4	
14	8D0 837 133 A	operating rod	left	1	
(14)	8D0 837 134 A	operating rod	right	1	
17	8D0 837 195 B	locking rod	left	1	
(17)	8D0 837 196 B	locking rod	right	1	
22	8D0 837 183 A	locking rod for door lock	left	1	
(22)	8D0 837 184 A	locking rod for door lock	right	1	