

3 Tail light cluster

⇒ [“3.1 Exploded view - tail light cluster on body”, page 91](#)

⇒ [“3.2 Removing and installing tail light cluster”, page 91](#)

3.1 Exploded view - tail light cluster on body

1 - Tail light cluster

- Different versions; for allocation refer to ⇒ Electronic parts catalogue
- Removing and installing ⇒ [page 91](#)

2 - Clip nut

- 2x

3 - Clip

4 - Cover

- For tail light cluster
- Removing and installing ⇒ [“3.2 Removing and installing tail light cluster”, page 91](#)

5 - Adjuster element

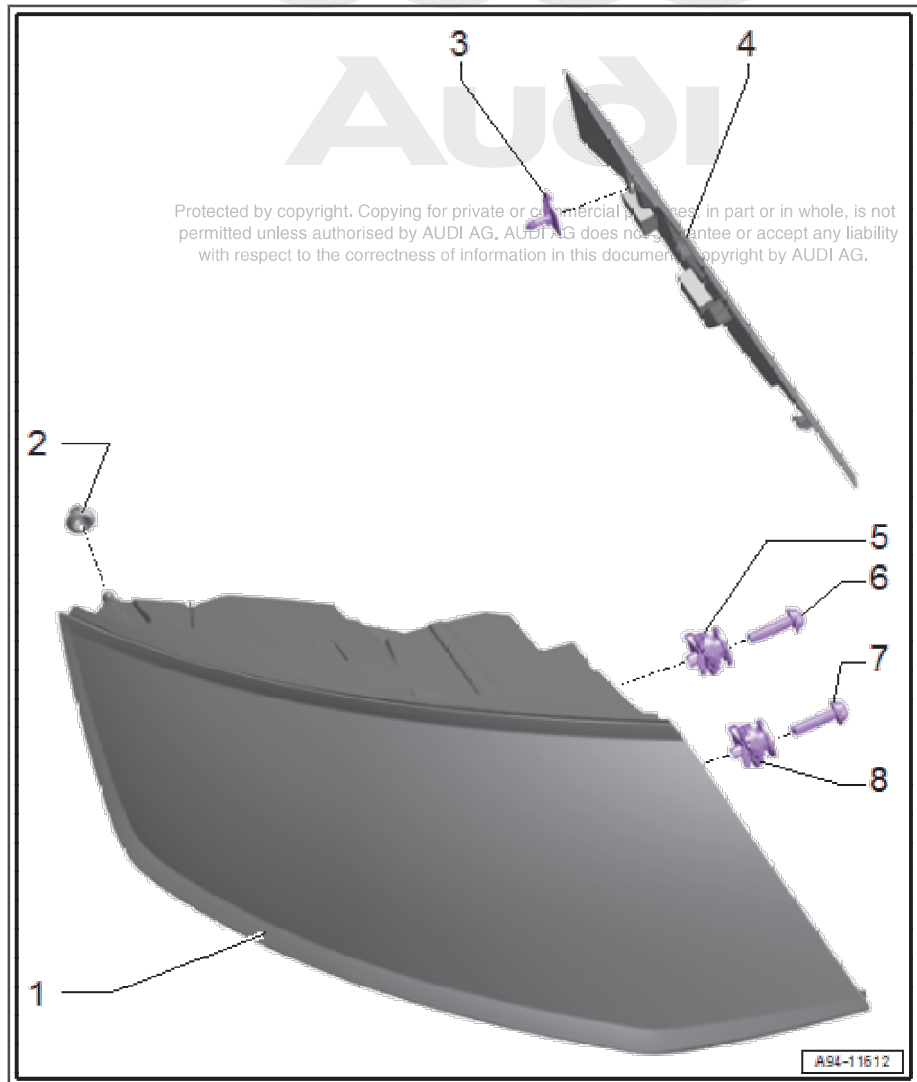
6 - Bolt

- 3.5 Nm

7 - Bolt

- 3.5 Nm

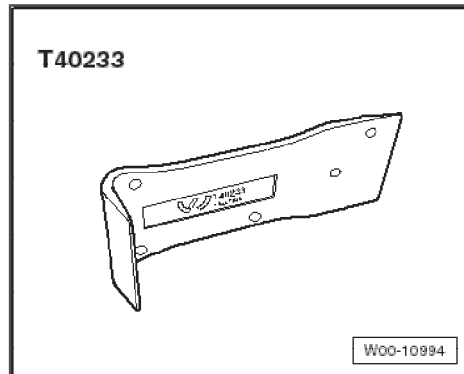
8 - Adjuster element



3.2 Removing and installing tail light cluster

Special tools and workshop equipment required

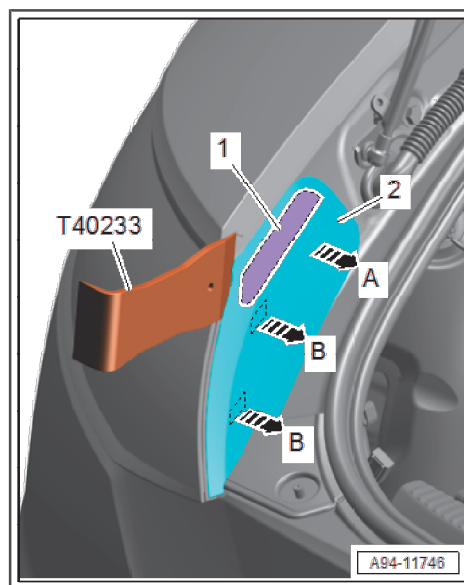
◆ Removal wedge - T40233-



◆ Cleaning solution - D 009 401 04-

Removing

- Turn light switch to position "0".
- Carefully detach adhesive strip -1- for cover -2- from side panel.
- Release fastener (front) -arrow A-.
- Release fasteners at tail light cluster using removal wedge - T40233- -arrows B-.

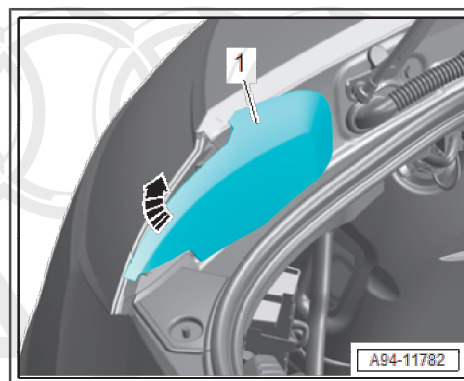


- Detach cover -1- from tail light cluster -arrow-, as shown in illustration.

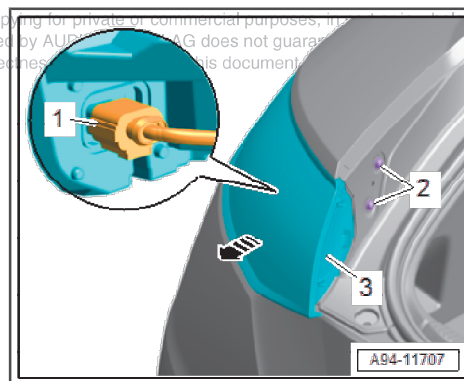


Note

Take particular care when detaching cover to ensure that guide and retaining hooks are not damaged.



- Remove bolts -2-.
- Pull tail light cluster -3- out of clip nuts towards rear -arrow-.
- Unplug electrical connector -1- and move clear.



Installing

Installation is carried out in reverse order; note the following:

Note

The cover must be renewed if damaged.

- Clean bonding surface on body with cleaning fluid - D 009 401 04- .
- Check all adjuster elements -2- on tail light cluster. It must be possible to turn adjuster nut -1- to do this -arrows-.
- Screw down adjuster nuts as far as they will go, but do not tighten.
- Bring tail light cluster into its installation position.
- Align tail light cluster at side panel and tighten bolts.
- Tail light cluster must be flush with side panel.

Note

When the bolt is tightened, the adjuster nut of the adjuster element automatically rotates against the mounting point of the tail light cluster and fixes it in place.

Tightening torques

- ◆ ⇒ [“3.1 Exploded view - tail light cluster on body”, page 91](#)

