



Audi

# Specifications

## Technical Specifications

| Engineering/Performance  | TT                                   | TTS                        | TT RS                       |
|--|--------------------------------------|----------------------------|-----------------------------|
| Engine type  | Four-cylinder                        | Four-cylinder              | Five-cylinder               |
| Arrangement  | Front mounted - Transverse           | Front mounted - Transverse | Front mounted - Transverse  |
| Bore (in)  | 3.25 (82.5 mm)                       | 3.25 (82.5 mm)             | 3.25 (82.5 mm)              |
| Stroke (in)  | 3.65 (92.8 mm)                       | 3.65 (92.8 mm)             | 3.65 (92.8 mm)              |
| Displacement (cu in)   | 121.1 (1984 cc)                      | 121.1 (1984 cc)            | 151 (2480 cc)               |
| Compression ratio  | 9.6:1                                | 9.8:1                      | 10.1:1                      |
| Horsepower @ rpm   | 211 @ 4300 (155 kw)                  | 265 @ 6000 (195 kw)        | 360 @ 5500 (265 kw)         |
| Torque @ rpm (lb-ft)   | 258 @ 1600 (350 nm)                  | 258 @ 2500 (350 nm)        | 343 @ 1650 (465 nm)         |
| Induction/Fuel injection   | Turbocharged/TFSI®                   | Turbocharged/TFSI®         | Turbocharged/TFSI®          |
| Variable cylinder displacement   | —                                    | —                          | —                           |
| Acceleration (0-60 mph)* (Coupe/Roadster)  | 5.3/5.6 seconds                      | 4.9/5.1 seconds            | 4.1 seconds                 |
| Top track speed (electronically limited)* (mph)                                    | 130 (209 km/h)                       | 155 (250 km/h)             | 174 (unlimited)             |
| <b>Engine design</b>   |                                      |                            |                             |
| Cylinder block   | Cast iron                            | Cast iron                  | Cast iron                   |
| Cylinder head  | Aluminum alloy                       | Aluminum alloy             | Aluminum alloy              |
| Firing order   | 1 - 3 - 4 - 2                        | 1 - 3 - 4 - 2              | 1 - 2 - 4 - 5 - 3           |
| Valvetrain/Intake  | DOHC, belt driven, hydraulic lifters | —                          | DOHC, four-valves/cylinders |
| Supercharger/Turbocharger  | —                                    | —                          | —                           |
| Max boost  | —                                    | 1.2 bar (17.4 psi)         | —                           |
| Emissions  | ULEVII                               | ULEVII                     | ULEVII                      |
| Start-stop efficiency system   | —                                    | —                          | —                           |
| <b>Body/Suspension/Chassis</b>   |                                      |                            |                             |
| Five-link front suspension with stabilizer bar                                     | ■                                    | ■                          | ■                           |
| Four-link rear suspension with separate spring/shock absorber                      | ■                                    | ■                          | ■                           |
| Sport suspension calibration   | □                                    | —                          | —                           |
| Magnetic ride suspension   | □                                    | ■                          | ■                           |
| Ventilated front disc/solid rear disc brakes (in)                                  | 12.3/11.3<br>(312/286 mm)            | —                          | —                           |
| Ventilated front disc/ventilated rear disc brakes (in)                             | —                                    | 13.4/12.2<br>(340/310 mm)  | 14.6/12.2<br>(370/310 mm)   |
| <b>Transmission/Drivetrain</b>   |                                      |                            |                             |
| Six-speed manual transmission with Audi quattro all-wheel drive                    | ■                                    | —                          | ■                           |
| Six-speed Audi S tronic dual-clutch transmission with Audi quattro all-wheel drive | ■                                    | □                          | —                           |

- = Standard
- = Optional
- = Not Available

\*Always obey local speed and traffic laws.



Audi

## Technical Specifications

| Transmission/Drivetrain (continued) |   | TT              | TTS             | TT RS         |
|-------------------------------------|---|-----------------|-----------------|---------------|
| Gear ratios:                        |   | <b>S tronic</b> | <b>S tronic</b> | <b>Manual</b> |
|                                     | 1st   | 2.923:1         | 2.923:1         | 3.570:1       |
|                                     | 2nd   | 1.792:1         | 1.957:1         | 2.160:1       |
|                                     | 3rd   | 1.185:1         | 1.400:1         | 1.890:1       |
|                                     | 4th   | 0.829:1         | 1.032:1         | 1.430:1       |
|                                     | 5th   | 0.862:1         | 1.077:1         | 1.160:1       |
|                                     | 6th   | 0.686:1         | 0.871:1         | 0.097:1       |
|                                     | Reverse                                     | 3.264:1         | 3.264:1         | 4.500:1       |
|                                     | Final drive 1st - 4th / 5th - 6th & Reverse | 4.769 / 3.444:1 | 4.769 / 3.444:1 | -             |

| Exterior measurements             |  |  |                                       |
|-----------------------------------|--|--|---------------------------------------|
| Wheelbase (in)                    | 97.2 (2468 mm)                               | 97.2 (2468 mm)                               | 97.2 (2468 mm)                        |
| Length (in)                       | 164.5 (4178 mm)                              | 165.3 (4198 mm)                              | 165.3 (4198 mm)                       |
| Height (in) (Coupe/Roadster)      | 53.3/53.5<br>(1353/1358 mm)                  | 53.0/53.1<br>(1345/1350 mm)                  | 53.1 (1348 mm)                        |
| Width (in)                        | 72.5 (1842 mm)                               | 72.5 (1842 mm)                               | 72.5 (1842 mm)                        |
| Track front/rear (in)             | 61.5/60.9<br>(1562/1548 mm)                  | 61.2/60.9<br>(1555/1548 mm)                  | 61.2/60.9<br>(1555/1548 mm)           |
| Curb weight (lb) (Coupe/Roadster) | 3,153/3,307<br>(1430/1500 kg)                | 3,219/3,395<br>(1460/1540 kg)                | 3,306 (1500 kg)                       |
| Drag coefficient (Coupe/Roadster) | Cw = 0.30 / 0.32<br>Front Area = 2.41 sq. m. | Cw = 0.31 / 0.33<br>Front Area = 2.41 sq. m. | Cw = 0.32<br>Front Area = 2.41 sq. m. |

| Interior measurements                     |  |  |                          |
|---|--|--|--------------------------|
| Head room (front/rear) (in)               | Coupe: 37.7/32.6<br>(957/829 mm)<br>Roadster: 37.6 (955 mm)    | Coupe: 37.7/32.6<br>(957/829 mm)<br>Roadster: 37.6 (955 mm)    | 37.7/32.6 (957/829 mm)   |
| Leg room (front/rear) (in)                | Coupe: 41.1/29.3<br>(1044/743 mm)<br>Roadster: 41.1 (1044 mm)  | Coupe: 41.1/29.2<br>(1044/744 mm)<br>Roadster: 41.1 (1044 mm)  | 41.1/29.3 (1044/743 mm)  |
| Shoulder room (front/rear) (in)           | Coupe: 53.2/47.5<br>(1352/1206 mm)<br>Roadster: 53.2 (1351 mm) | Coupe: 53.2/47.5<br>(1352/1206 mm)<br>Roadster: 53.2 (1351 mm) | 53.2/47.5 (1352/1206 mm) |
| Luggage capacity (cu ft)                  | Coupe: 13.1<br>Roadster: 8.83                                  | Coupe: 13.1<br>Roadster: 8.83                                  | 13.1                     |
| Luggage capacity (cu ft) (2nd row folded) | Coupe: 24.7  | Coupe: 24.7  | 24.7                     |
| Seating capacity (Coupe/Roadster)         | 2+2/2  | 2 + 2/2  | 2 + 2                    |

| EPA mileage estimates*/Capacities                               |                                       |                                       |                 |
|---|---------------------------------------|---------------------------------------|-----------------|
| Manual transmission (City/Highway/Combined)*                    | —                                     | —                                     | 18/25/20        |
| Audi S tronic dual-clutch transmission (City/Highway/Combined)* | Coupe: 22/31/26<br>Roadster: 22/31/26 | Coupe: 22/31/26<br>Roadster: 22/31/26 | —               |
| Engine oil (qt)   | 4.9 (4.6 liter)                       | 5.8 (5.5 liter)                       | 6.9 (6.5 liter) |
| Coolant system (qt)   | 9.5 (9.0 liter)                       | 9.1 (8.6 liter)                       | —               |
| Fuel (gal)  | 14.5 (55 liter)                       | 15.9 (60 liter)                       | 15.9 (60 liter) |
| Recommended fuel  | Premium                               | Premium                               | Premium         |

- = Standard
- = Optional
- = Not Available

\*See [www.fueleconomy.gov](http://www.fueleconomy.gov) for EPA estimates. Your mileage will vary.



**Audi**

## Technical Specifications

| Steering                           | TT   | TTS  | TT RS  |
|------------------------------------|--|--|--|
| Type                               | Electromechanical speed-sensitive power steering                                       | Electromechanical speed-sensitive power steering                                       | Electromechanical speed-sensitive power steering                                       |
| Ratio                              | 16.9:1   | 16.9:1   | 16.9:1   |
| Turning circle (curb-to-curb) (ft) | 35.96 (10.9 m)   | 35.96 (10.9 m)   | 35.96 (10.9 m)   |
| Electrical system                  |  |  |  |
| Battery                            | 12 Volts - 80 amp  | 12 Volts - 80 amp  | 12 Volts - 80 amp  |
| Alternator                         | 14 Volts - 140 amp   | 14 Volts - 140 amp   | 14 Volts - 140 amp   |
| Warranty/Maintenance               |  |  |  |
|                                    | Four-year/50,000 mile new vehicle limited warranty                                     | Four-year/50,000 mile new vehicle limited warranty                                     | Four-year/50,000 mile new vehicle limited warranty                                     |
|                                    | Twelve-month/5,000 mile (whichever occurs first) NO CHARGE first scheduled maintenance | Twelve-month/5,000 mile (whichever occurs first) NO CHARGE first scheduled maintenance | Twelve-month/5,000 mile (whichever occurs first) NO CHARGE first scheduled maintenance |

- = Standard
- = Optional
- = Not Available



Audi

# Wheel Program



## Wheels & Tires

|  | TT | TTS | TT RS |
|--|----|-----|-------|
| A. 9.0Jx18 Five-arm dynamic design alloy wheels<br>245/40/R18 93H all season Self-Supporting Runflat-Tires (SST)               | □  | —   | —     |
| B. 9.0Jx18 Ten-spoke design wheels<br>245/40/R18 93Y summer performance tires  | ■  | —   | —     |
| C. 9.0Jx19 Seven-twin-spoke design alloy wheels<br>255/35/R19 summer performance tires (contained in S line package)           | □  | —   | —     |
| D. 9.0Jx19 Five-arm rotor design wheels in matte black with high gloss black surround<br>255/35/R19 Y summer performance tires | ■  | —   | —     |
| E. 9.0Jx19 Five-arm twin-spoke star design wheels<br>255/35/R19 Y summer performance tires                                     | —  | ■   | —     |
| F. 9.0Jx19 Five-arm rotor design wheels in high gloss<br>255/35/R19 Y summer performance tires                                 | —  | —   | ■     |
| G. 9.0Jx19 Five-arm rotor design wheels in titanium look<br>255/35/R19 Y summer performance tires                              | —  | —   | □     |
| H. 9.0Jx19 Five-arm rotor design wheels in high gloss black with red surround<br>255/35/R19 Y summer performance tires         | —  | —   | □     |

- = Standard
- = Optional
- = Not Available

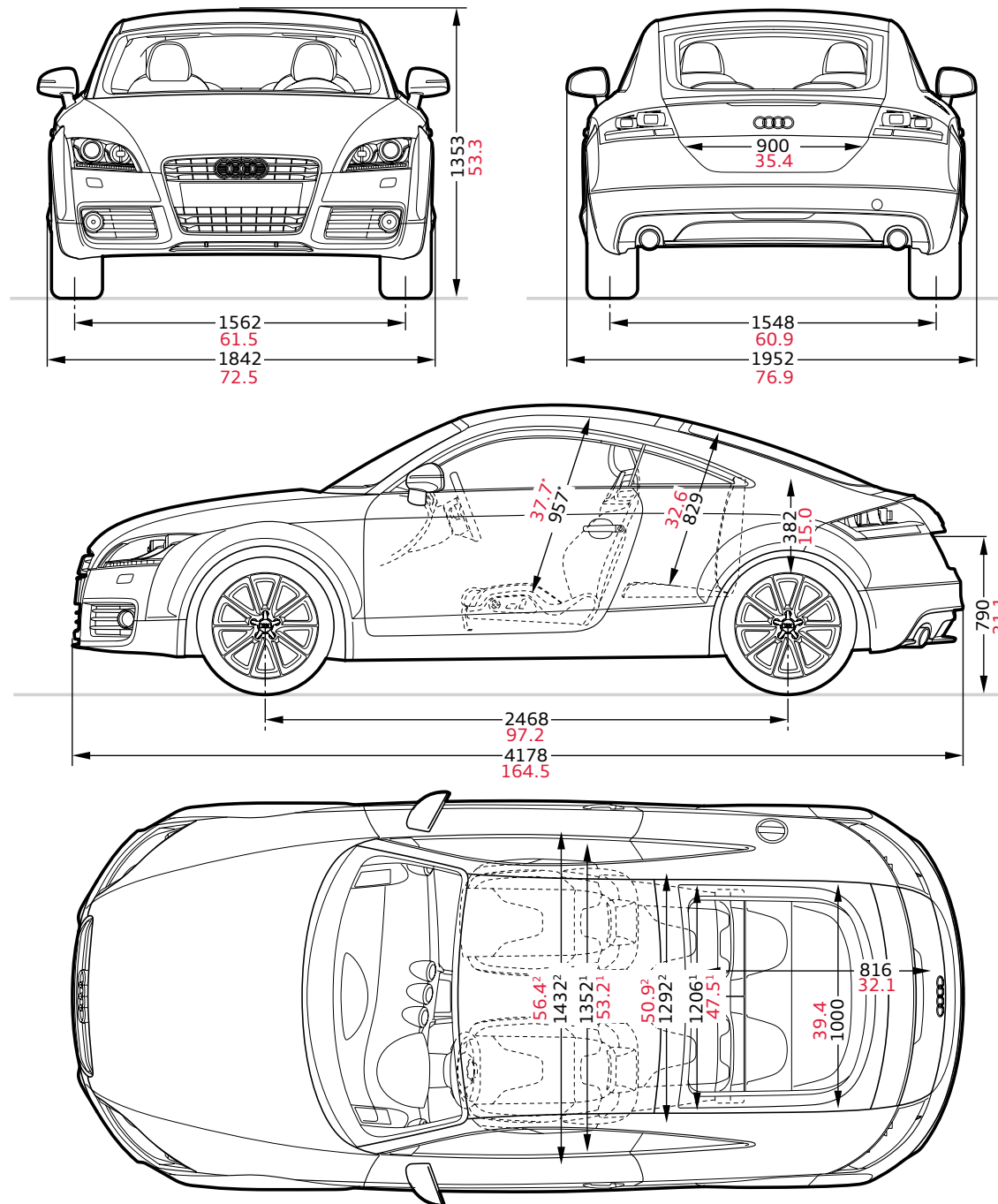
1 Tires are supplied and warranted by their manufacturer. High-performance tires are designed for optimum performance and handling in warm climates. They are not suitable for cold, snowy, or icy weather conditions. If you drive under those circumstances, you should equip your vehicle with all-season or winter tires, which offer better traction under those conditions. We suggest you use the recommended winter or all-season tire specified for your car or its equivalent. These high-performance tires also have a lower aspect ratio that aids performance and handling; however, in order to avoid tire, rim or vehicle damage, it is important that the inflation pressure is regularly checked and maintained at optimum levels. Please also remember in making your selection that, while these tires deliver responsive handling, they may ride less comfortably and make more noise than other choices. Finally, these tires may wear more quickly than other choices.



Audi

# Dimensions

2013 Audi TT Coupe



<sup>1</sup> Shoulder width

<sup>2</sup> Elbow width

\* Maximum headroom

Dimensions in millimeters and inches

Dimensions of vehicle unloaded

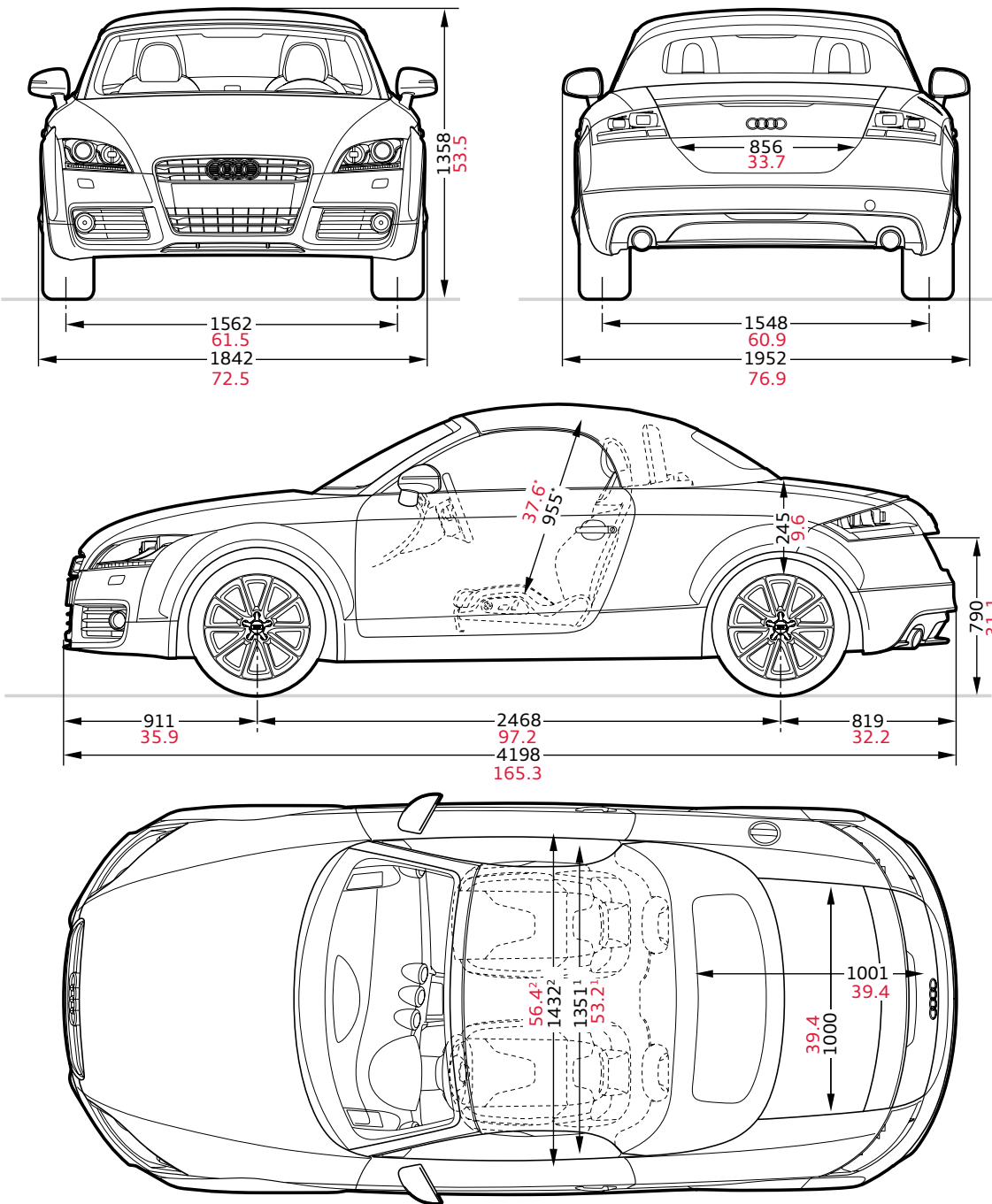
Luggage capacity (cu ft) 13.1

Luggage capacity (cu ft) with second row folded 24.7



Audi

### 2013 Audi TT Roadster



<sup>1</sup> Shoulder width

<sup>2</sup> Elbow width

\* Maximum headroom

Dimensions in millimeters and inches

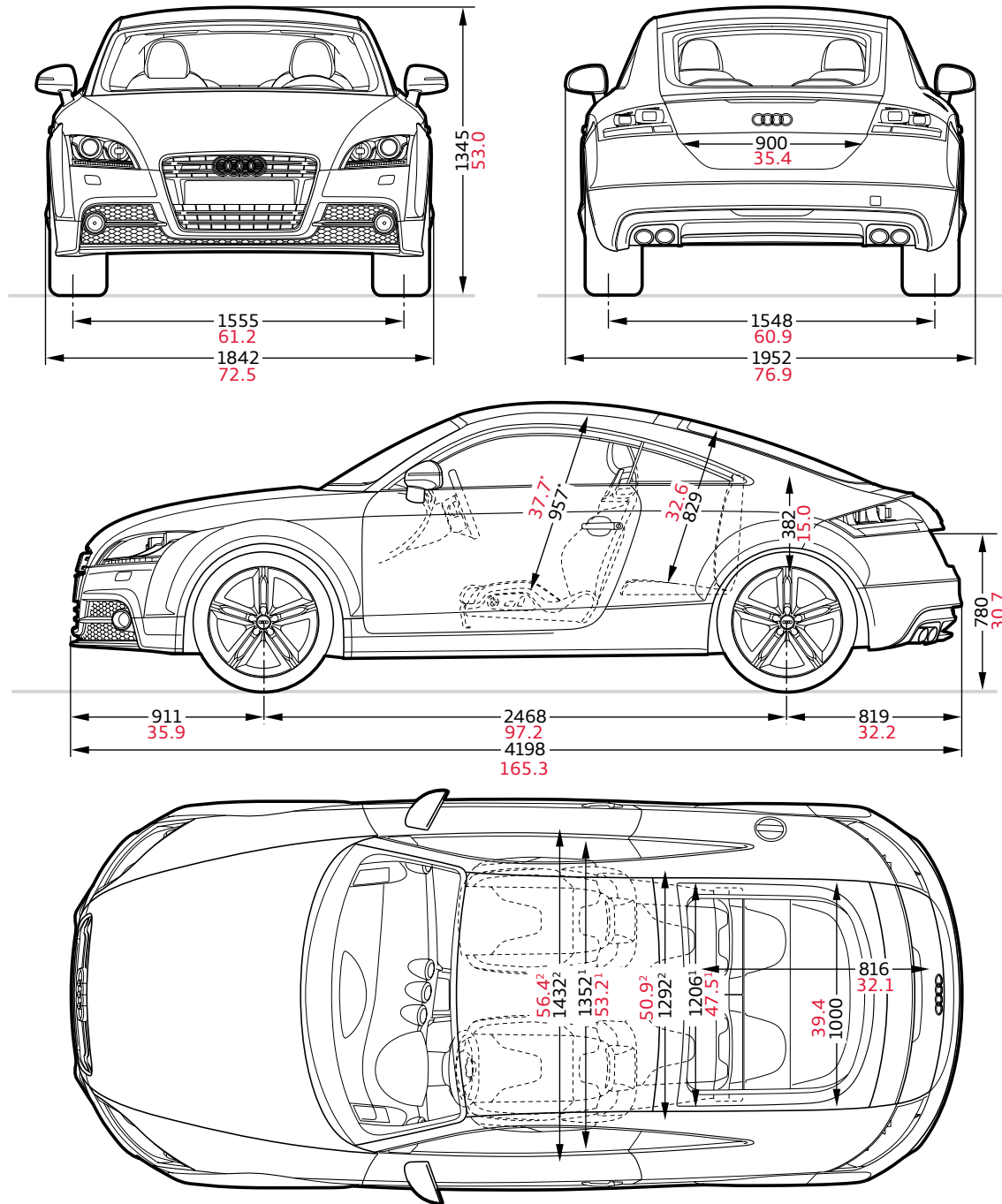
Dimensions of vehicle unloaded

Luggage capacity (cu ft) 8.83



Audi

### 2013 Audi TTS Coupe



<sup>1</sup> Shoulder width

<sup>2</sup> Elbow width

\* Maximum headroom

Dimensions in millimeters and inches

Dimensions of vehicle unloaded

Luggage capacity (cu ft) 13.1

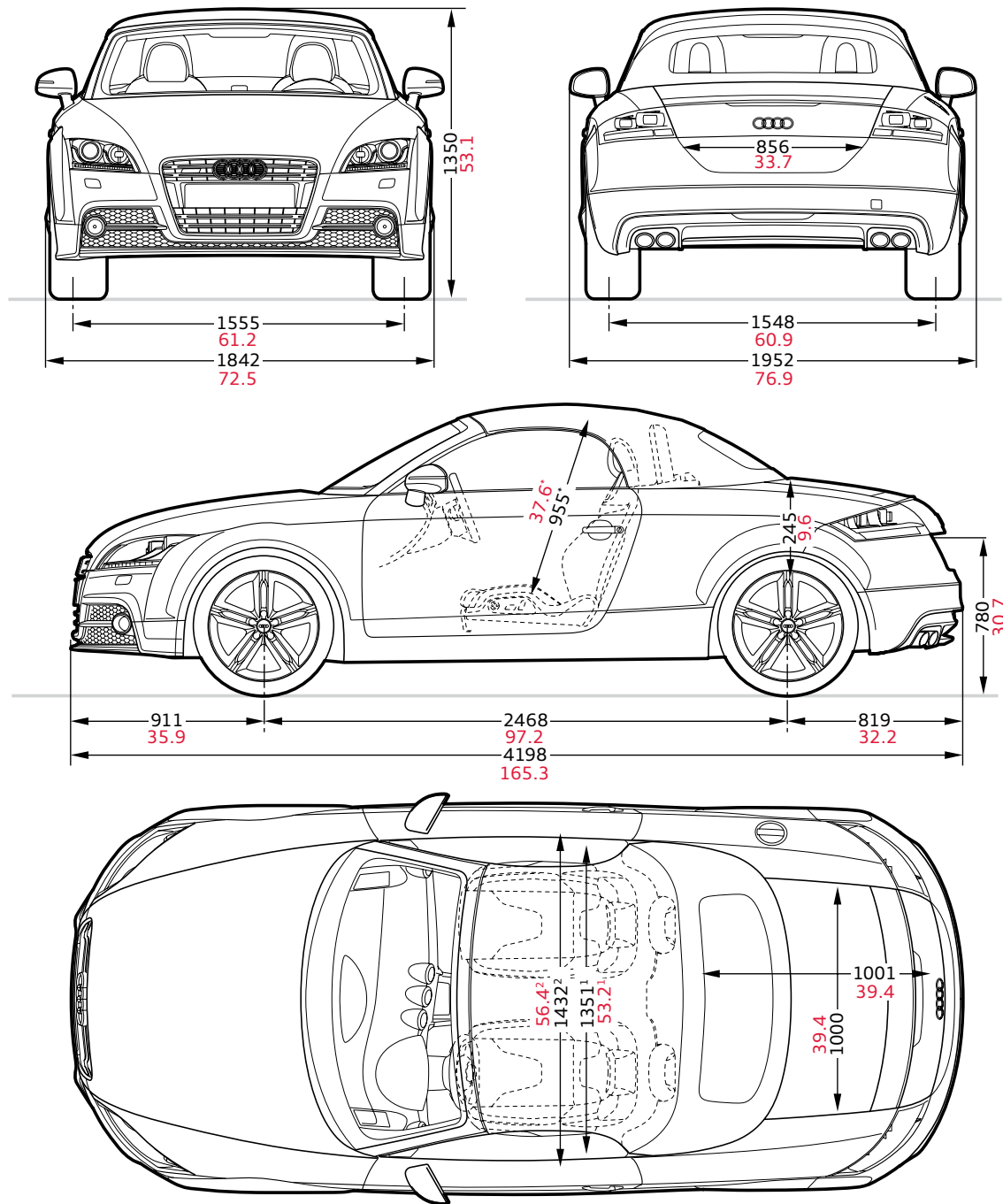
Luggage capacity (cu ft) with second row folded 24.7





Audi

### 2013 Audi TTS Roadster



<sup>1</sup> Shoulder width

<sup>2</sup> Elbow width

\* Maximum headroom

Dimensions in millimeters and inches

Dimensions of vehicle unloaded

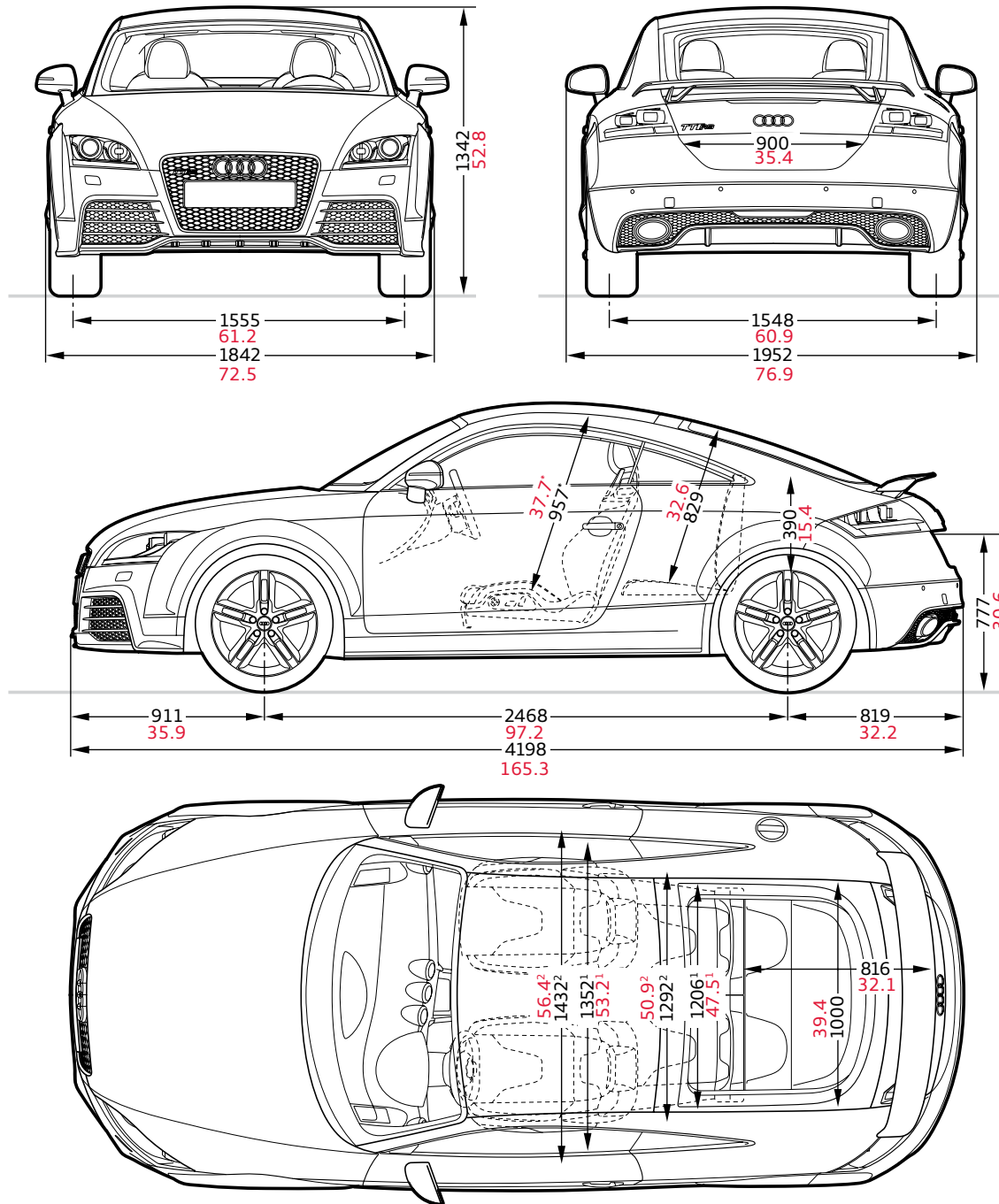
Luggage capacity (cu ft) 8.83





Audi

### 2013 Audi TT RS Coupe



<sup>1</sup> Shoulder width

<sup>2</sup> Elbow width

\* Maximum headroom

Dimensions in millimeters and inches

Dimensions of vehicle unloaded

Luggage capacity (cu ft) 13.1

Luggage capacity (cu ft) with second row folded 24.7